

OPTIMUM POSTURO-PEDIC CHAIR SERIES 1000



LPA MEDICAL INC.
OPTIMUM seating and
positioning system

460, Desrochers, #150, Vanier, Quebec, Canada, G1M 1C2

Tel : (418) 681-1313, 800-663-4863

Fax : (418) 681-4488

lpa@lpamedical.com

<http://www.lpamedical.com>



1940, Country Club Road, Long Lake, MN 55356 USA

Tel : (888) 845-6447 Fax : (612) 745-0197

<http://www.optimaol.com>



LPA MEDICAL INC.
OPTIMUM seating and
positioning system

OPTIMUM POSTURO-PEDIC CHAIR SERIES 1000



Chair illustrated with accessories

USER'S GUIDE

LPA MEDICAL INC., 460, Desrochers, #150, Vanier, Quebec, Canada, G1M 1C2

Tel : (418) 681-1313, 800-663-4863

Fax : (418) 681-4488

lpa@lpamedical.com

<http://www.lpamedical.com>

OPTIMA PRODUCTS INC., 1940, Country Club Road, Long Lake, MN 55356 USA

Tel.: (888) 845-6447 Fax: (612) 745-0197

<http://www.optimaol.com>

IMPORTANT RECOMMENDATIONS

MOVING THE OPTIMUM CHAIR

To facilitate straight-line movement, the left-front directional wheel must be locked.

FOR YOUR SAFETY, ALWAYS SUPPORT THE PARTS DURING ADJUSTMENTS

STORAGE AND PARKING OF THE OPTIMUM CHAIR

To prevent the deforming of, and damage to, non-metal parts and the covering, the chair must be kept away from direct heat sources (radiators).

To avoid accidents, the brakes must always be applied when the chair is parked.

INTERIOR METAL COMPONENTS :

In order to easily reach these metal parts, place the chair on its back as illustrated in Figure 2.

To facilitate the upending of the chair, back the chair up a few centimetres (A) to turn the wheels towards the front (B), apply the brakes (C), see figure 1.

Pull on the steering bar while keeping the chair's balance, and support it in order to place the back on the floor. See figure 2

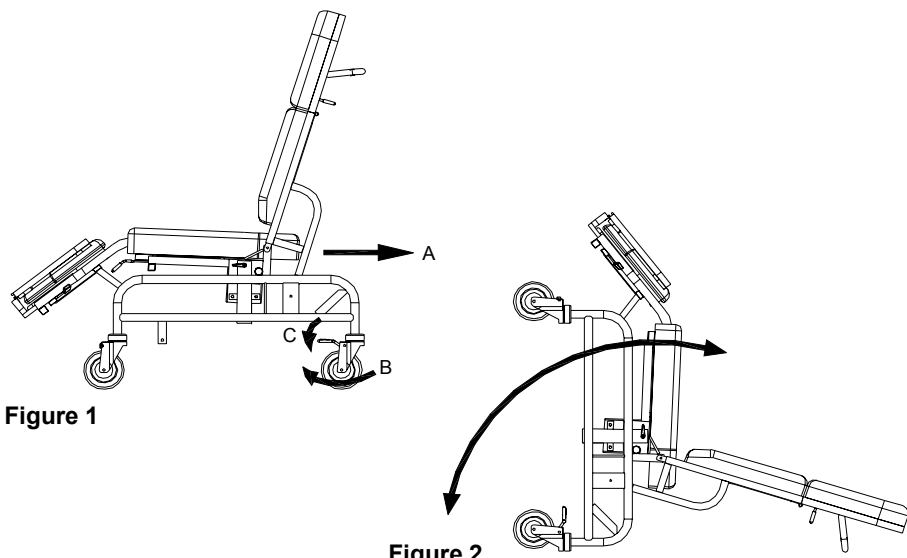


Figure 1

Figure 2

In this position, after having completely lifted the footrest, all the normally non-visible parts are easily accessible for cleaning.

FOR YOUR RECORDS:

Purchaser's record for LPA MEDICAL 5-1 WARRANTY:

Date of purchase: _____

Purchased from: _____

Street Address: _____

City: _____ Province or State: _____ Zip: _____

MODEL NO, DESCRIPTION AND QUANTITY OF ITEMS PURCHASED

THANK YOU FOR CHOOSING LPA MEDICAL PRODUCTS.

PLEASE FILL OUR'S CARD DETACH AND RETURN THIS INFORMATION WITHIN 30 DAYS OF PURCHASE.

1- Date of purchase: _____

2- Purchase from: _____

3- Address: _____

4- Facility's name: _____

5- Facility's street address: _____

City: _____ Province or State: _____ Zip: _____

6- Model No. Description, and quantity of items purchased:

7- Number of beds in your facility: _____

8- Licensure Level (certification):

- Skilled
- Intermediate
- Developmentally
- Other

9- In making your decision, what influence you the most

- Magazine Ad
- Direct mail
- Brand name
- Convention exhibit
- Friend's suggestion
- Salesperson's suggestion

LPA MEDICAL WARRANTY

TERMS & CONDITIONS

GENERAL:

- All items & prices listed are subject to change without notice. We reserve the right to change and/or improve any product as deemed advisable without notification. Shipments will be made at prevailing prices at time of shipment.

ORDERS:

- When ordering, specify model or part number, quantities and colour where applicable.

FREIGHT CLAIMS:

- LPA MEDICAL can not accept claims for merchandise that has been damaged in transit. Examine all merchandise upon delivery. If damage has occurred, it is the consignee's responsibility to file a claim with the carrier immediately if damage is apparent upon delivery, or within 5 days if it is subsided damage.

RETURN GOODS

- Merchandise to be returned must have prior written authorisation from our Customer Service Department. All request must include the following information:
Reason for requested return
LPA MEDICAL invoice or acknowledgement number
LPA MEDICAL model or part number and number of cartons and items being returned.
Unauthorised returns will not be accepted. All authorised returns must be shipped pre-paid except where there has been an error in processing or a defect in materials or workmanship, in which case Customer Service will issue special instructions.

WARRANTY: 5-1

- LPA MEDICAL warranty covers all defects in workmanship or materials for the following periods of time.
From date of purchase:
Metal parts (frame) 5 years
Controls, tray, cylinder, cushions, pads & pillows (fill material, fabric covers) 1 year
If service required is order this warranty, contact our Customer Service Department in writing, giving the following information
1- Model or part number involved
2- Date of purchase, including LPA MEDICAL invoice or acknowledgement number
3- A description of the problem.

WHAT LPA MEDICAL WILL COVER

- LPA MEDICAL will at our option repair or replace at no charge to you, the original purchaser, the defective product or parts during the periods of given time

WHAT LPA MEDICAL WILL NOT COVER

- Normal wear and tears (frame, wheels, fabrics)
- Accidental damage including fire and water
- Fabric facing and metal oxidation (rust)
- Cost of transportation to or from LPA MEDICAL factory
- Unauthorised repairs made or attempted
- Damage resulting from abnormal or unreasonable use.

Your Rights Under Province or state law

This warranty gives you specific legal rights, your may also have other rights witch vary from Province to Province or State to State.

OPTIMUM CHAIR MAINTENANCE

To insure a maximum performance of the chair, it is necessary that it be kept clean and that the parts be adjusted properly.

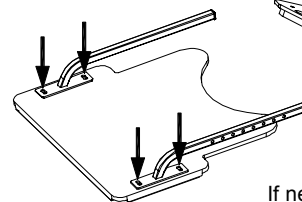
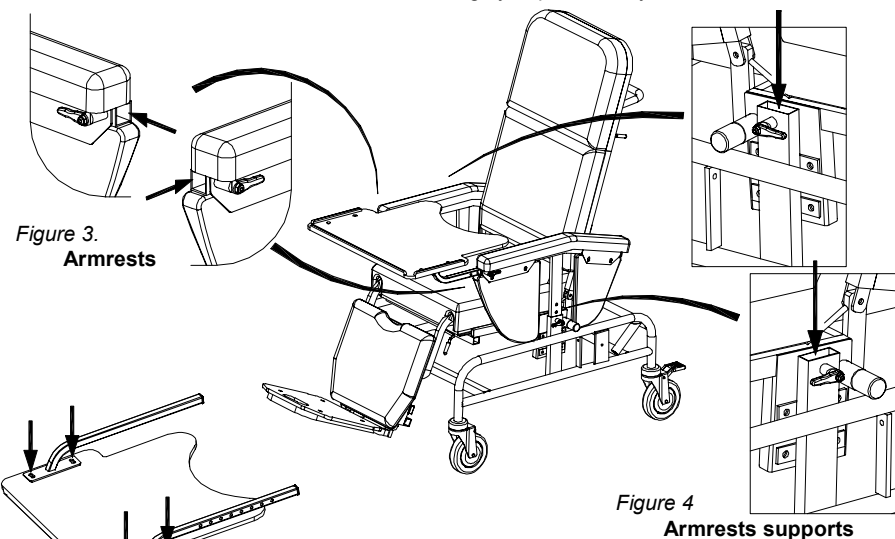
COVERING:

The surfaces covered in vinyl must be washed with a mild detergent diluted or dissolved in water when needed. For best cleaning results for these surfaces, the armrests must be taken off and their lateral surfaces cleaned. If necessary, a mild clear disinfectant can be used for hygienic purposes.

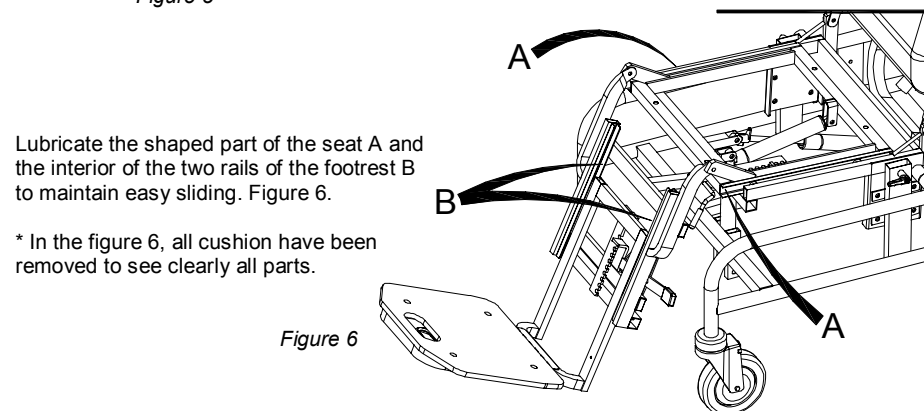
PREVENTIVE MAINTENANCE:

Metal parts of the chair must also be cleaned when needed using the same solution as for the coverings. Special care, however, must be taken with regard to the interior of the sliding tubing as seen in the figure 3 and 4.

Each of these must be cleaned and dried thoroughly to prevent any corrosion of the metal.



If necessary, tighten the nuts of the table.

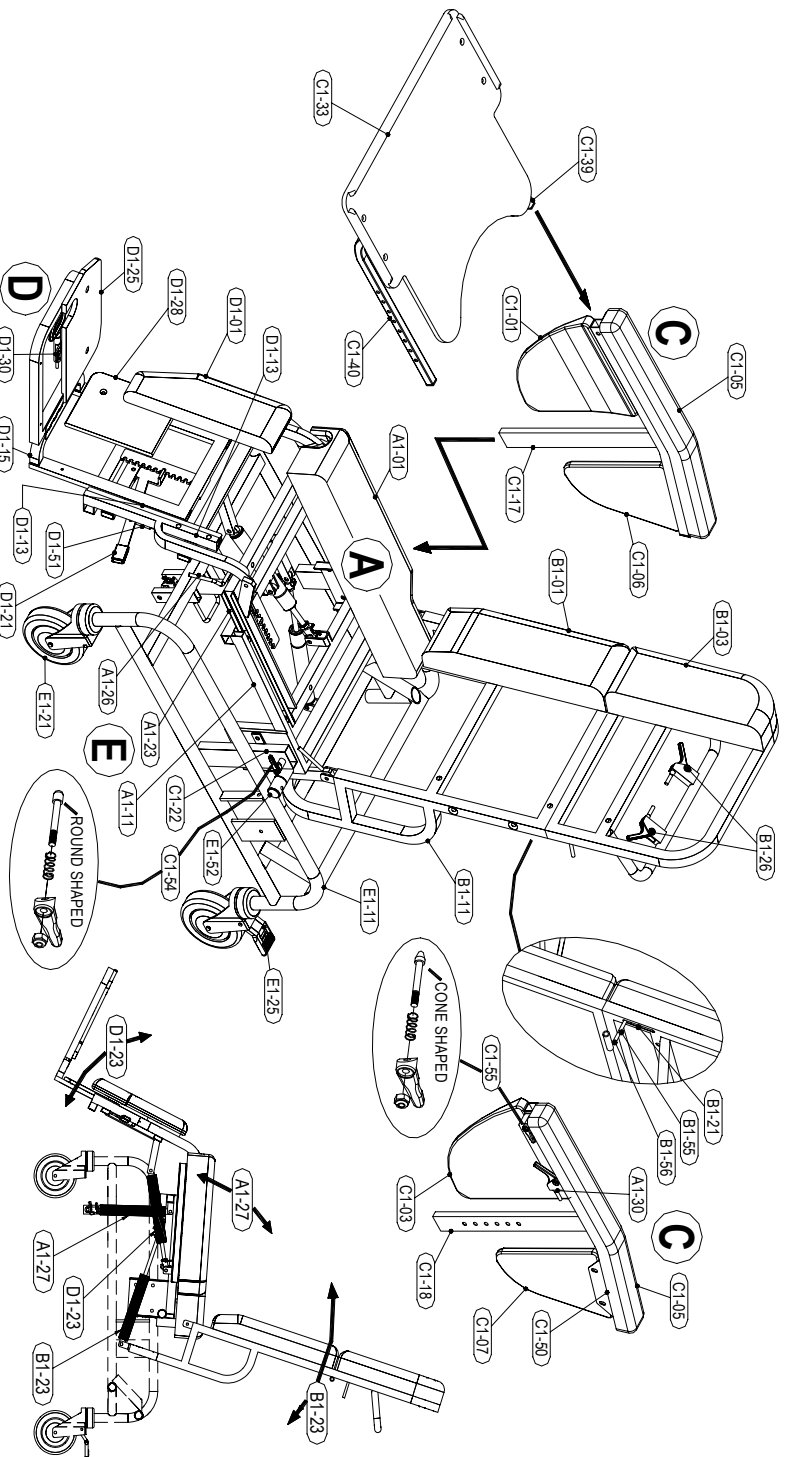


Lubricate the shaped part of the seat A and the interior of the two rails of the footrest B to maintain easy sliding. Figure 6.

* In the figure 6, all cushion have been removed to see clearly all parts.

Figure 6

PARTS LIST
OPTIMUM POSTURO-PÉDIC CHAIR
SERIE 1000



TO ORDER PARTS PLEASE INDICATE: SERIES NO., MODEL NO., PART NO. AND COLOR

PARTS No	DESCRIPTION	COLOR	ILLUSTRATED	MODEL
AT-01	SEAT	X	X	
AT-02	Cushion 43 cm (17")	X	X	
AT-03	Cushion 50 cm (20")	X	X	1100-1200
AT-11	Frame fixed 43 cm (17")	X	X	1100-1200
AT-12	Frame fixed 50 cm (20")	X	X	1100-1200
AT-13	Frame fixed 43 cm (17")	X	X	1300
AT-14	Frame fixed 50 cm (20")	X	X	1300
AT-23	Sliding frame 43 cm (17")	X	X	
AT-24	Sliding frame 50 cm (20")	X	X	
AT-28	Handle depth adjustment	X	X	
AT-29	Cylinder elevating, tilt function, 200N 2,5 cm (1")	X	X	1100-1200
AT-28	Metal bracket for cable on cylinder 2,5 cm (1")	X	X	
AT-29	Double metal bracket for cable on cylinder 2,5 cm (1")	X	X	1300
AT-30	Lever (2), plastic square 23 mm (7/8")	X	X	
AT-31	Locking spring, foldaway, perineal abductor	X	X	
AT-32	Foldaway's metal bracket perineal abductor	X	X	
AT-33	Cylinder extension, 5 cm (2") lowering seat	X	X	1100-1200
AT-51	Spring, handle depth adjustment 5 cm (2")	X	X	1300
AT-52	Bolt, handle depth adjustment	X	X	
AT-53	White plastic sliding guides (4)	X	X	
AT-54	Plugs (2), plastic square 23 mm (7/8")	X	X	
AT-55	Plugs (2), plastic rectangular (check)	X	X	
AT-56	Screws, holding cushion (4)	X	X	
AT-57	Locking spring, foldaway, perineal abductor	X	X	
AT-58	Screws, foldaway, perineal abductor (2)	X	X	
AT-59	Spacers, seat height reduction (2)	X	X	
AT-60	Washers, seat height reduction (2)	X	X	
AT-61	Socket set screws, seat height reduction (2)	X	X	
AT-62	Plastic plugs, handle depth adjustment	X	X	
	BACK	X	X	
B1-01	Cushion, lower part 43 cm (17")	X	X	
B1-02	Cushion, lower part 50 cm (20")	X	X	
B1-03	Cushion, upper part 43 cm (17")	X	X	
B1-04	Cushion, upper part 50 cm (20")	X	X	
B1-05	Cushion, cervical support	X	X	
B1-06	Cushions, shoulder support (pair)	X	X	
B1-07	Cushions for structural lateral support	X	X	
B1-08	Plastic cover for structural lateral support	X	X	
B1-11	Frame lower & upper part 43 cm (17")	X	X	
B1-12	Frame lower & upper part 50 cm (20")	X	X	
B1-15	Frame adjustable tension back 43cm (17")	X	X	
B1-16	Frame adjustable tension back 50cm (20")	X	X	
B1-21	Tubing, back upper locking	X	X	
B1-22	Bracket, shoulders support	X	X	
B1-23	Cylinder, 300N, 2,5 cm (1") recline function	X	X	1300
B1-24	Cylinder's metal bracket for cable	X	X	
B1-26	Lever and cable, tilt, in space	X	X	
B1-31	Stitched plate, right	X	X	
B1-32	Stitched plate, left	X	X	
B1-33	Structure for trunk support	X	X	
B1-34	Lock for structural lateral support and shoulders support	X	X	
B1-35	Release pins, left for structural lateral support and shoulders support	X	X	
B1-36	Release pins, right for structural lateral support and shoulders support	X	X	
B1-40	Cylinder's metal bracket for double cables	X	X	1300
B1-42	Screws & nuts for back pivot, 10 mm (3/8")	X	X	
B1-54	Spacers (2), 10 mm (3/8") pin	X	X	
B1-55	Stem, back upper locking	X	X	
B1-56	Plugs (2), stem back upper locking	X	X	
B1-59	Screws, lower & upper cushions (8)	X	X	
B1-60	Screws, shoulders support cushion (4)	X	X	
B1-70	Lateral trunk support, right, 15cm (6")	X	X	
B1-71	Lateral trunk support, left, 15cm (6")	X	X	
B1-72	Lateral trunk support, left, 10cm (4")	X	X	
B1-73	Lateral trunk support, right, 10cm (4")	X	X	
B1-74	Contour back cushion, 10cm (4") for 43cm (17")	X	X	
B1-75	Contour back cushion, 10cm (4") for 50cm (20")	X	X	
B1-76	Contour back cushion, 15cm (6") for 43cm (17")	X	X	
B1-77	Contour back cushion, 15cm (6") for 50cm (20")	X	X	
B1-78	Expansion upper back seat, 7.6cm (3") 43cm (17")	X	X	
B1-79	Expansion upper back seat, 7.6cm (3") 50cm (20")	X	X	
	ARMRESTS	X	X	
C1-01	Panel front, right armrest upholstery	X	X	
C1-05	Panel front, left armrest upholstery	X	X	
C1-06	Cushion	X	X	
C1-06	Panel rear, left armrest upholstery	X	X	
C1-07	Panel rear, right armrest upholstery	X	X	
C1-17	Tubing, right sliding armrest	X	X	
C1-18	Tubing, left sliding armrest	X	X	
C1-21	Tubing, right armrest holding for 4 X 1 cm (1/2 X 1/2")	X	X	1100-1200
C1-22	Tubing, left armrest holding for 4 X 1 cm (1/2 X 1/2")	X	X	1100-1200
C1-23	Tubing, right armrest holding for 4 X 1 cm (1/2 X 1/2")	X	X	1300
C1-24	Tubing, left armrest holding for 4 X 1 cm (1/2 X 1/2")	X	X	1300
C1-29	Tubing, left armrest holding for 5 cm (2") lowering seat	X	X	
C1-30	Tubing, left armrest holding for 5 cm (2") lowering seat	X	X	1300
C1-33	Panel, rear tray 43 cm (17")	X	X	
C1-34	Panel, rear tray 50 cm (20")	X	X	
C1-35	Thick lap tray 43 cm (17")	X	X	
C1-36	Thick lap tray 50 cm (20")	X	X	
C1-37	Levan lap tray 43 cm (17")	X	X	
C1-38	Levan lap tray 50 cm (20")	X	X	
C1-39	Tubing, right arm tray	X	X	
C1-40	Tubing, left arm tray	X	X	
C1-41	Heavy duty tubing, right arm for tray	X	X	
C1-42	Heavy duty tubing, left arm for tray	X	X	
C1-43	Tubing, armrest extension	X	X	
C1-50	Armrest, plastic protectors (2)	X	X	1100-1200
C1-51	Bolts tubing, armrest holding (8)	X	X	1300
C1-52	Bolts tubing, armrest holding (8)	X	X	
C1-53	Bolts lap tray (4)	X	X	
C1-54	Lock mechanism, armrest holding (2)	X	X	
C1-55	Lock mechanism, lap tray	X	X	
C1-56	Screws, upholstery side panel (8)	X	X	
C1-57	Screws, armrest cushion (4)	X	X	
C1-58	Screws, armrest extension (4)	X	X	
C1-70	Cushion armrest extension	X	X	
	FOOTBOARD	X	X	
D1-01	Cushion legrest 43 cm (17")	X	X	
D1-02	Cushion legrest 50 cm (20")	X	X	
D1-05	Heelrest's band	X	X	
D1-06	Nylon holding band, footboard	X	X	
D1-13	Frame legrest 43 cm (17")	X	X	
D1-14	Frame legrest 50 cm (20")	X	X	
D1-15	Frame, sliding footboard	X	X	
D1-16	Frame extension 5cm (2") for 43cm (17")	X	X	
D1-17	Frame extension 5cm (2") for 50cm (20")	X	X	
D1-21	Handle, footboard length for 43cm (17")	X	X	
D1-22	Handle, footboard length for 50cm (20")	X	X	
D1-23	Cylinder elevating, 200N, 2.5 cm (1")	X	X	
D1-24	Lever & cable holder for cylinder 2.5 cm (1")	X	X	
D1-25	Plastic footboard 47.5cm (19")	X	X	
D1-26	Plastic footboard 40cm (16")	X	X	
D1-27	Plastic footboard 32.5cm (13")	X	X	
D1-28	Plastic heels protector, 35cm (14")	X	X	
D1-29	Plastic heels protector, 28cm (11")	X	X	
D1-30	Cylinder activating mechanism	X	X	
D1-31	Plastic plugs, handle footboard length	X	X	
D1-35	Metal bracket, left cushion, lateral legs protector	X	X	
D1-36	Metal bracket, left cushion, lateral legs protector	X	X	
D1-51	Spring, angular adjustment legrest 4 cm (1 1/2")	X	X	
D1-52	Sliding plastic guides (2)	X	X	
D1-53	Lock, lateral legs protector (springs) (2)	X	X	
D1-54	Spacer, plate legrest	X	X	
D1-55	Square spacer, heels protector	X	X	
D1-56	Plugs, plastic rectangular (8)	X	X	
D1-57	Screws, footboard (4)	X	X	
D1-58	Screws, heels protector (2)	X	X	
D1-59	Screws, legrest cushion (2)	X	X	
D1-60	Spring, holding cable 4 cm (1 1/2")	X	X	
D1-61	Screws, upholstery, lateral legs protector (4)	X	X	
D1-62	Bolts, legrest frame and seat (2)	X	X	
D1-70	Right cushion lateral legs protector	X	X	
D1-71	Left cushion lateral legs protector	X	X	
D1-72	Front cushion belt, lateral legs protector	X	X	
	OTHERS	X	X	
E1-11	Frame, base 43 cm (17")	X	X	
E1-12	Frame, base 50 cm (20")	X	X	
E1-21	Wheel, 12.5 cm (5") front swivel with directional lock	X	X	
E1-24	Wheel, 12.5 cm (5") front swivel	X	X	
E1-25	Wheel, 12.5 cm (5") swivel w/ brake, rear	X	X	
E1-27	80 cm (24") wheel only	X	X	
E1-28	Bracket installation kit, 60 cm (24") wheel	X	X	
E1-29	Wheel breaks, 60 cm (24") wheel (pair)	X	X	
E1-30	Rear anti- tip for 60 cm (24") wheel	X	X	
E1-51	Spinning expander for 12.5cm & 8cm (5" & 8") wheel	X	X	
E1-52	Pin, seal frame fitting	X	X	
E1-53	Bolts, pin fitting seal (2)	X	X	